

## Guard Locking Switch Stainless Steel Type: HYGIELOCK KL3-SS

## FEATURES:



IP69K



Spring to lock when actuator is inserted. Energise solenoid to unlock.

## Solenoid Locking Interlock Safety Switch featuring Guard Holding up to 2000N (200Kg) (F1Max)

The KL3-SS Series guard locking switches have a rugged Stainless Steel 316 body and have been developed with a holding force of 2000N to keep medium to large guard doors closed until hazards have been removed.

They are designed in accordance with EHEDG guidelines for hygienic design (EHEDG European Hygienic Engineering & Design Group). The mirror-polished surface to Ra10 is designed to cope with direct food splash and cleaning found in the tough applications of the Food Processing Industries.

They have IP69K enclosure protection and can be high pressure hosed with detergent at high temperature.

Designed with slim body under 50mm wide the KL3-SS series can be fitted to 50mm (2") frame sections or to applications where space is restricted.

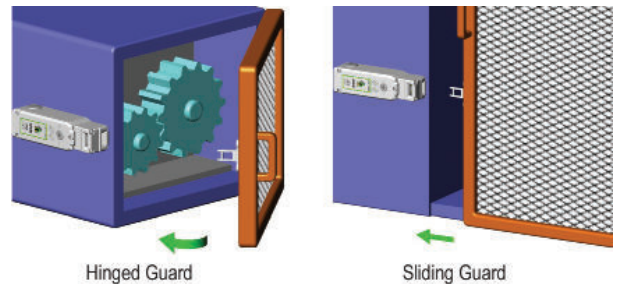
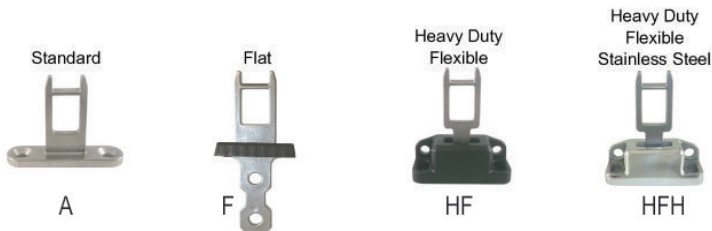
The head will rotate to provide up to 8 actuator entry positions. 2 Manual override points are provided (by using anti-tamper key).

## CONTACTS/LED DIAGNOSTICS:

A unique mechanical design featuring 2 independent contact blocks gives a high function and diagnostic specification.

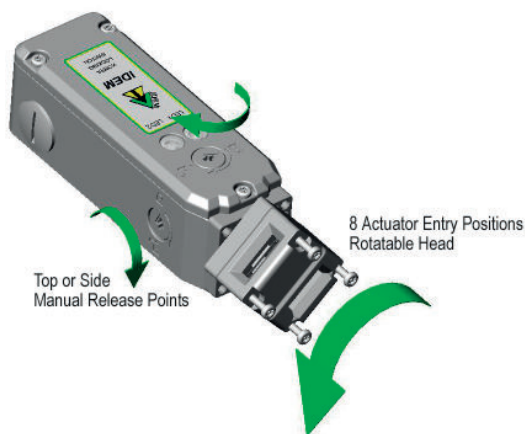
- 4NC Safety Contacts
- 1NO Auxiliary Contact (Guard Open)
- LED1 Solenoid Power
- LED2 Lock Status indication or 1NO Auxiliary Contact (Lock Open)

## ACTUATOR OPTIONS (see p76)



## FUNCTIONAL SPECIFICATIONS:

- Positive Break Contacts to EN60947-5-1
- High Functional Safety to ISO13849-1
- Stainless Steel 316 Body and Head - Mirror Polished to Ra10
- Connects to most Safety Relays to give up to PLE Cat.4
- IP69K suitable for SIP and CIP Processes
- Will fit on 50mm frame sections or where space is restricted
- 4NC Safety Contacts independently selectable



## INSERTION OF ACTUATOR

	6.0	5.0	0mm
11/12	Open		
21/22	Open		
33/34			Open
43/44			Open

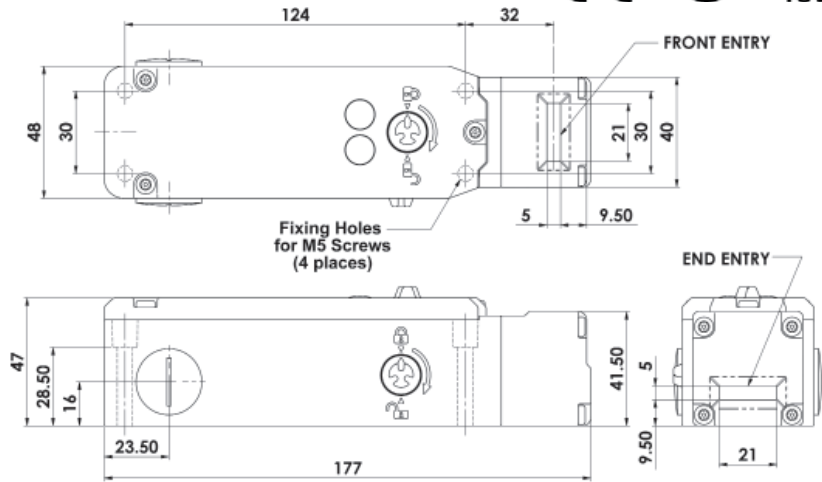
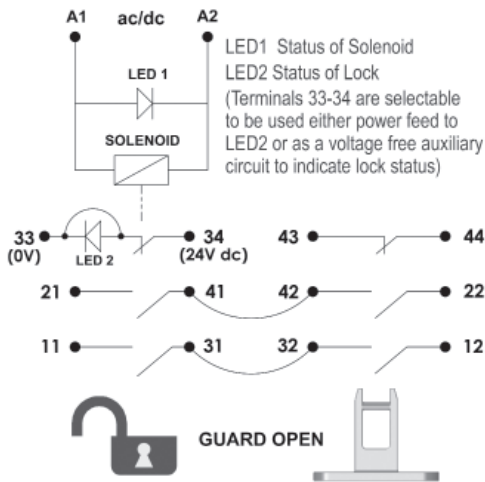
For all IDEM switches the normally closed (NC) circuits are closed when the guard is closed actuator inserted.

<b>Standards:</b>	ISO14119 EN60947-5-1 EN60204-1 ISO13849-1 EN62061 UL508
<b>Safety Classification and Reliability Data:</b>	
Mechanical Reliability B10d	2.5 x 10 <sup>6</sup> operations at 100mA load
ISO13849-1	Up to PLE depending upon system architecture
EN62061	Up to SIL3 depending upon system architecture
Safety Data – Annual Usage	8 cycles per hour/24 hours per day/365 days
PFHd	3.44 x 10 <sup>-8</sup>
Proof Test Interval (Life)	35 years
MTTFd	356 years
Solenoid Voltage (by Sales Number)	24V ac/dc or 110Vac or 230Vac
Solenoid Wattage	12W
LED2 Supply Voltage	24Vdc
Utilization Category	AC15 A300 3A
Thermal Current (Ith)	5A
Rated Insulation/Withstand Voltages	600Vac/2500Vac
Travel for Positive Opening	10mm
Actuator Entry Minimum Radius	175mm Standard 100mm Heavy Duty
Maximum Approach/Withdrawal Speed	600mm/s
Holding Force	F1Max 2000N Fzh 1538N
Body Material	Stainless Steel 316
Enclosure Protection	IP69K IP67
Operating Temperature	-25C +50C
Vibration	IEC 68-2-6 10-55Hz + 1Hz Excursion 0.35mm 1 octave/min
Conduit Entry	Various (See Sales Number)
Fixing	4 x M5

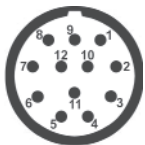
Devis sous 24h à [info@tecnoland.fr](mailto:info@tecnoland.fr)

# Guard Locking Switch Stainless Steel Type: HYGIELOCK KL3-SS

## SCHEMATIC CIRCUIT & DIMENSIONS:

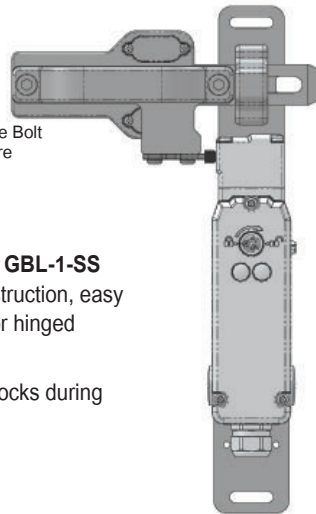


## ACCESSORIES (see p70-75)

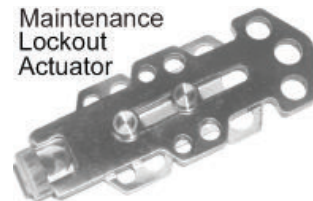


Quick Connect (QC) M23 12 Way Male Plug Connector Length 24mm Pin View from Switch	Switch Circuit
1 3	A1 A2
4 6	11/12
7 8	21/22
2 5	43/44
9	33
10	34
Earth	12

Sliding Handle Gate Bolt with Lock Off feature



**GATE BOLT LOCK GBL-1-SS**  
Stainless Steel construction, easy to install on sliding or hinged guards.  
Holes for fitting padlocks during maintenance.



Fits to switch aperture during maintenance and provides multiple padlock holes.



FEMALE QC LEADS	LENGTH	SALES NUMBER
M23 12 Way	5m (15ft)	140143
M23 12 Way	10m (30ft)	140144

STAINLESS STEEL 316 GLAND	SALES NUMBER
M20	140120
1/2" NPT	140121



IDEM recommend using our Stainless Steel 316 Gland with this switch.

STANDARD MANUAL RELEASE LID AND SIDE



MANUAL RELEASE LID ONLY (Not SIDE)



NO MANUAL RELEASE FITTED (Blanked)



SALES NUMBER	SOLENOID VOLTAGE	STANDARD MANUAL RELEASE LID AND SIDE			MANUAL RELEASE LID ONLY (Not SIDE)			NO MANUAL RELEASE FITTED (Blanked)		
		M20	1/2" NPT	QC M23	M20	1/2" NPT	QC M23	M20	1/2" NPT	QC M23
Kobra KL3-SS Switch	24V ac/dc	205001	205002	205003	205401	205402	205403	205301	205302	205303
Kobra KL3-SS Switch	110V ac	205004	205005	205006	205404	205405	205406	205304	205305	205306
Kobra KL3-SS Switch	230V ac	205007	205008	205009	205407	205408	205409	205307	205308	205309

Kobra Actuator	Standard	Add A	to Sales Part Number
Kobra Actuator	Flat	Add F	to Sales Part Number
Kobra Actuator	Heavy Duty Flexible	Add HF	to Sales Part Number
Kobra Actuator	S/Steel Heavy Duty Flexible	Add HFH	to Sales Part Number

Manual Release Key (order separately - not supplied with switches)

Sales Number: 140123



**Ordering Examples:**

24V Solenoid M20 Conduit Standard Manual Release Flat Actuator: Sales Number: 205001-F  
110V Solenoid 1/2" NPT Conduit No Manual Release Standard Actuator: Sales Number: 205305-A

For all IDEM switches the normally closed (NC) circuits are closed when the guard is closed actuator inserted.

Devis sous 24h à [info@tecnoland.fr](mailto:info@tecnoland.fr)